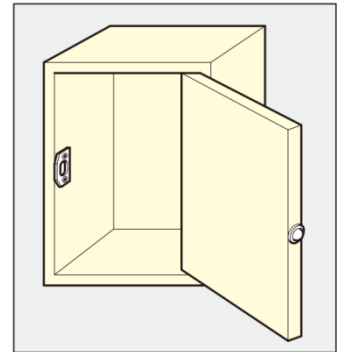
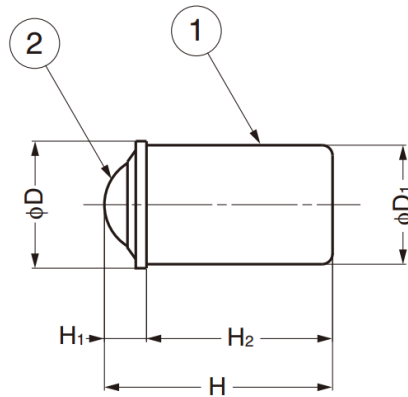
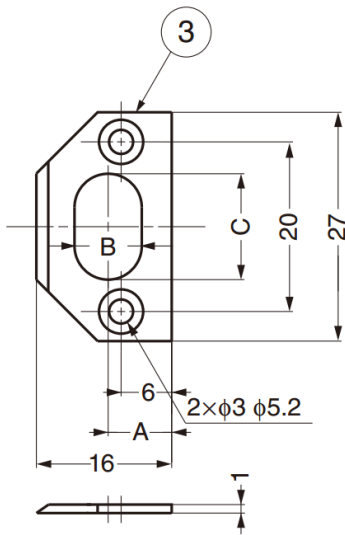


GTS Tension Catch

Features

- Mortise type



No.	Part Name	Material	Finish
①	Body	Brass	Plain
②	Ball	Steel	Plain
③	Counter Plate	Brass	Plain

Part No.	A	B	C	D	D ₁	H	H ₁	H ₂
GTSS	7	6.5	10	12	9.7	14.5	3.5	11
GTSM			11.5	13	11.5	16.5	4	12
GTSL	7.5	8.5	12.5	15	14	27	5	22